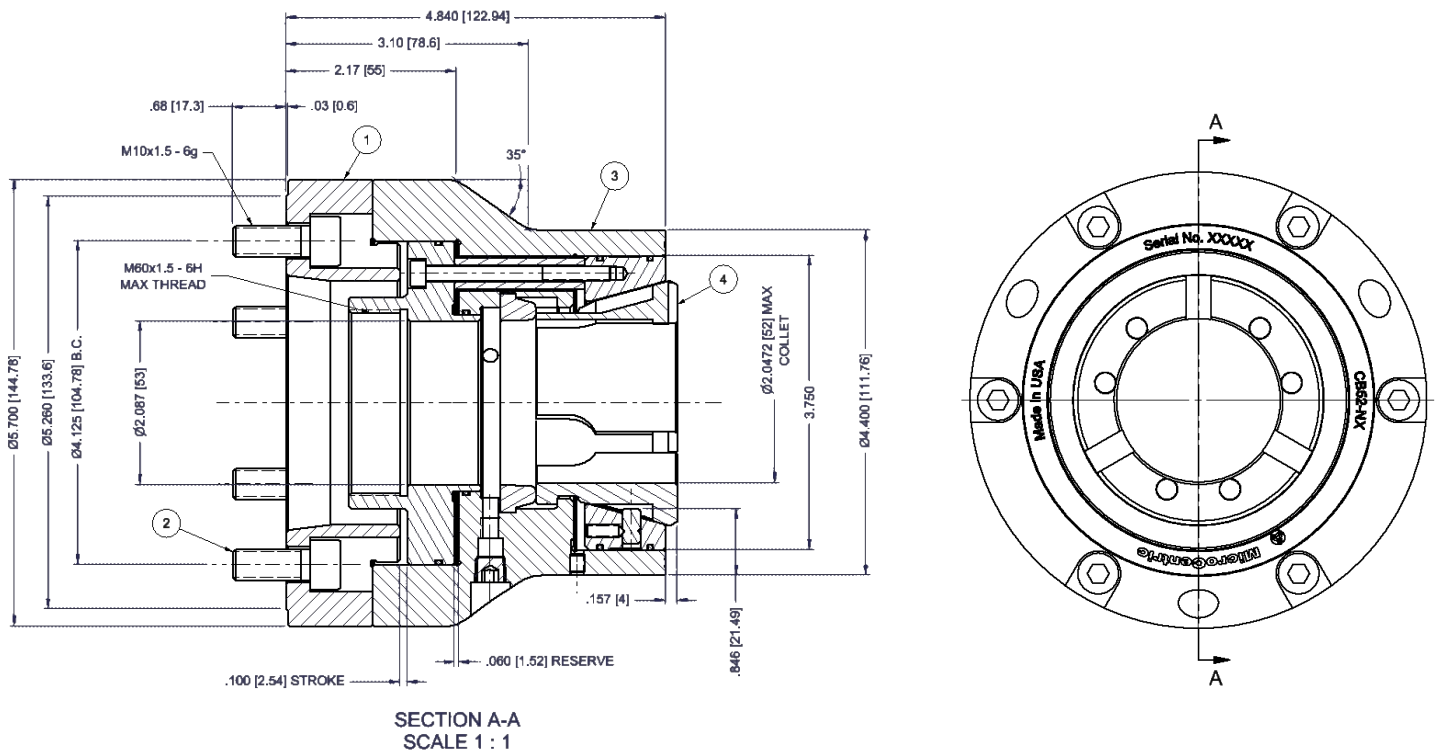


Specifications

Chuck Model	Spindle Nose	Collet Model	Accuracy Max Radial Runout	Collet Capacity	Collet Clamp Range	Chuck Stroke Linear	Max Draw Tube Force	Max Clamping Force	Max Speed	Chuck Weight
CB52-NX/A5	A2-5	52BZI	.0004" 0.010mm	1.625" 42mm	+/- .020" 0.5mm	0.160 4mm	8,992 40 kN	21,132 95 kN	7,000 rpm	20.3 lbs 9.2 kg

Dimensions



ITEM	QTY	PART NUMBER	DESCRIPTION
1	1	16 042 304	ADAPTER
2	6	83 193 M025	M10 x 25 SHCS
3	1	16 052 200	FITTED BODY AND SLEEVE
4	1	20 752 M5200	COLLET DIA 52MM
5	1	SEE NOTE 2	DRAW TUBE CONNECTOR

NOTES

- THE CHUCK IS SHOWN IN THE NOMINAL CLAMPED POSITION.
- DRAW TUBE CONNECTOR AND THREAD PER CUSTOMER REQUIREMENTS.
- THE CHUCK IS SHOWN WITH THE MAX COLLET BORE.